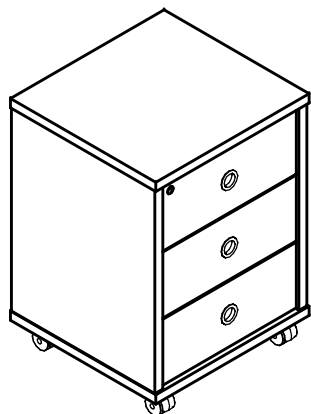
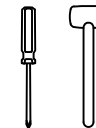
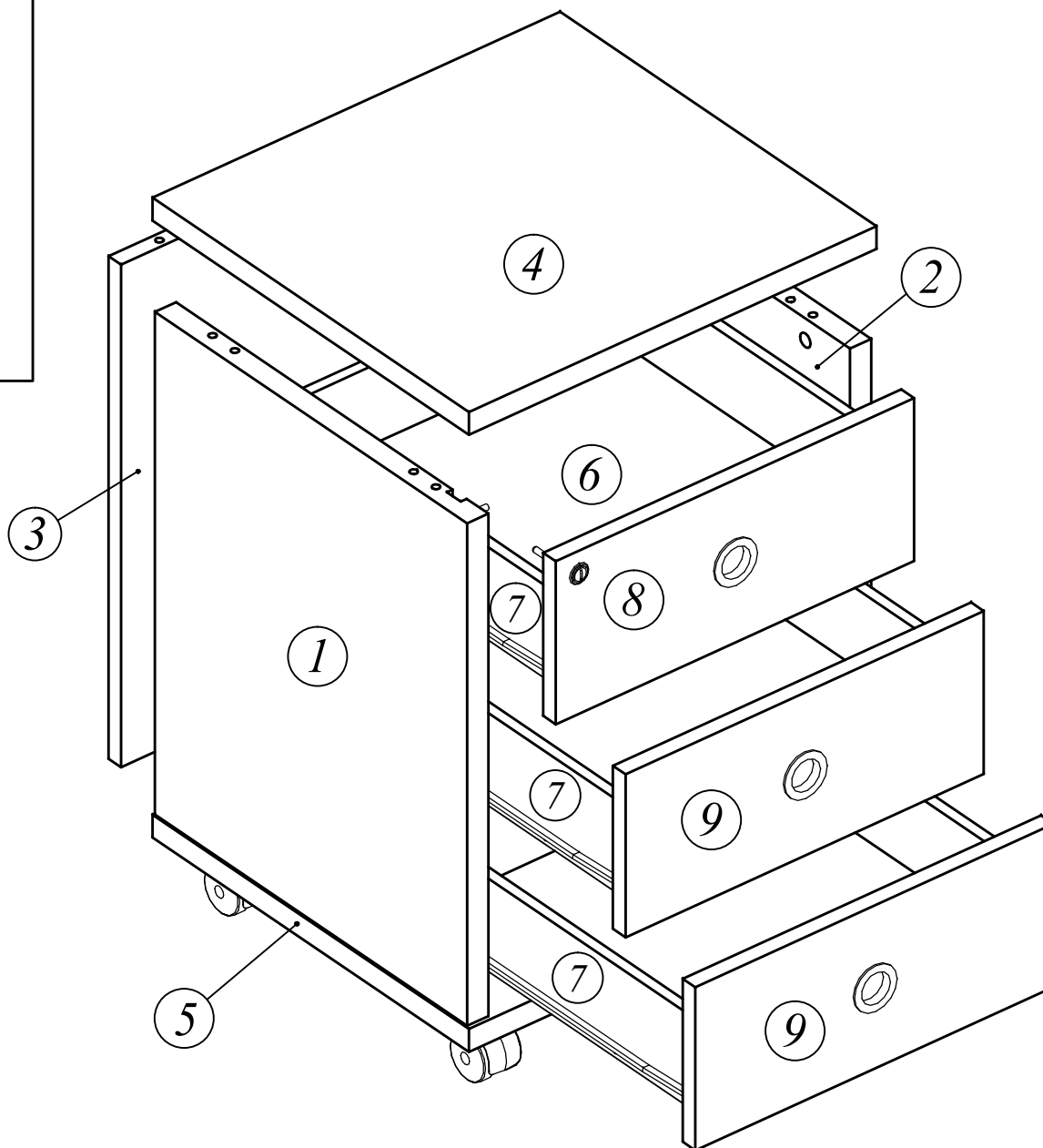


B 201

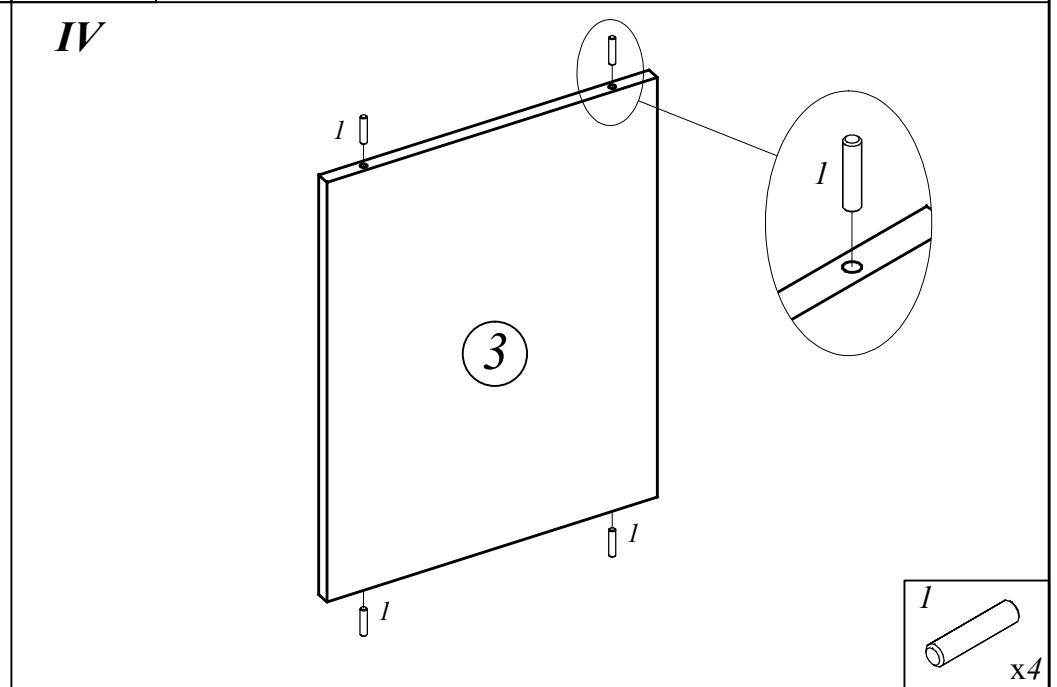
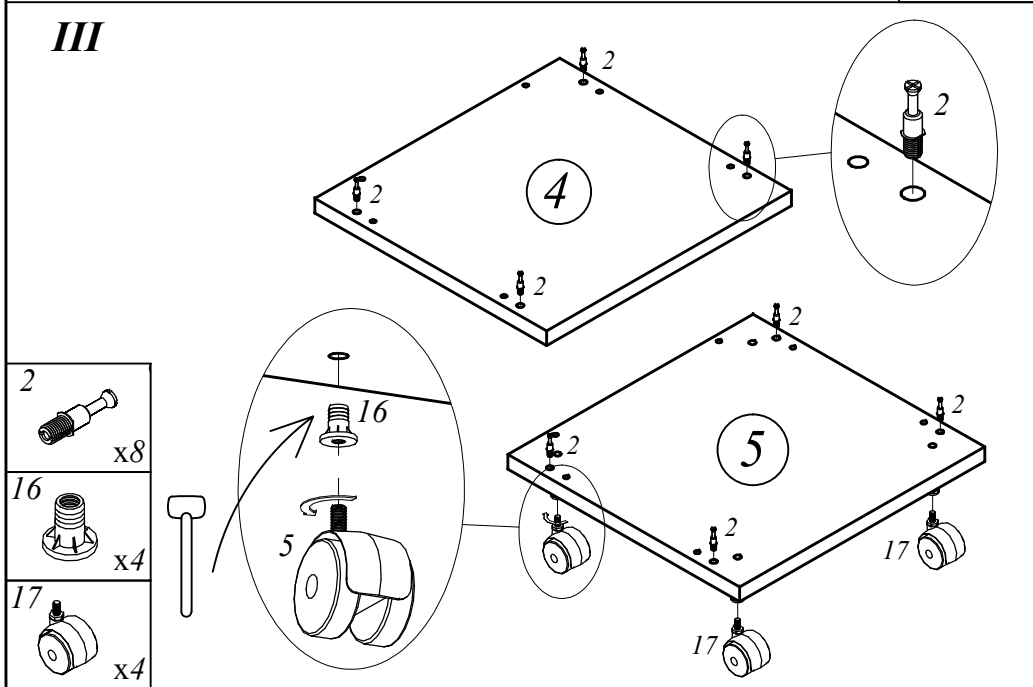
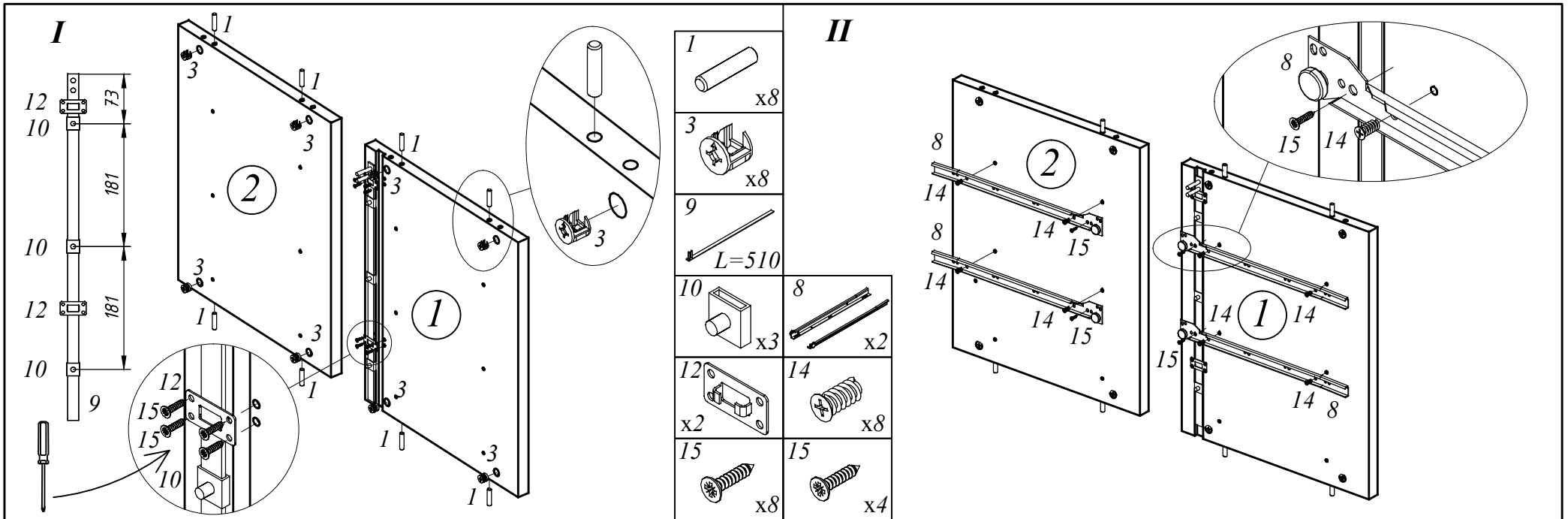
ERC



479 x 453 x 660

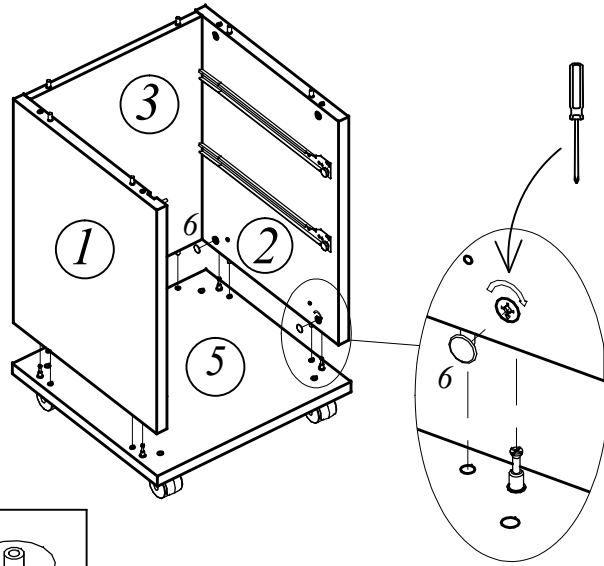


		9	
			x1
1		x12	10
			x3
2		x14	11
			x3
3		x8	12
			x2
4		x6	13
			x1
5		x6	14
			x12
6		x8	15
			x34
7		x3	16
			x4
8		x3	17
			x4

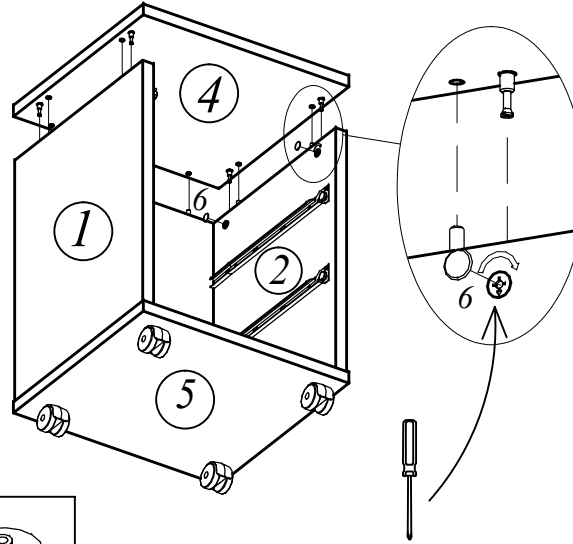


B 201

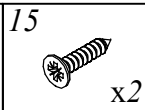
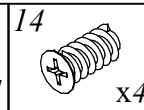
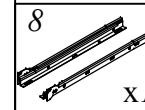
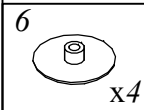
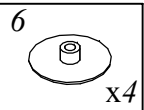
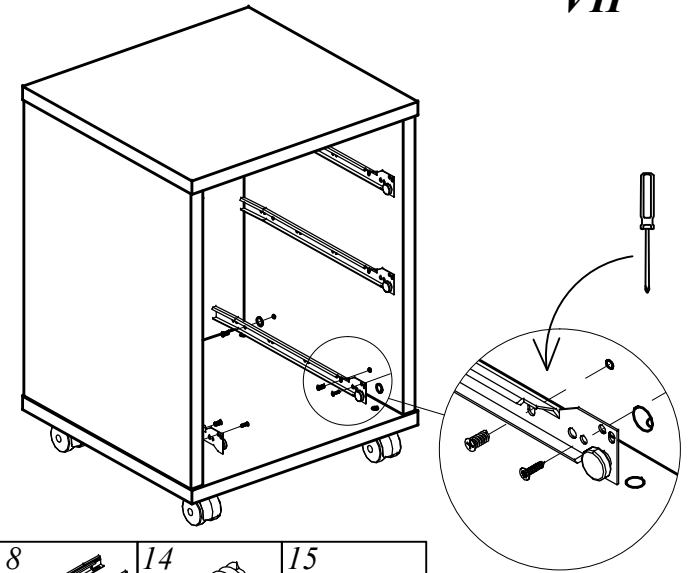
V



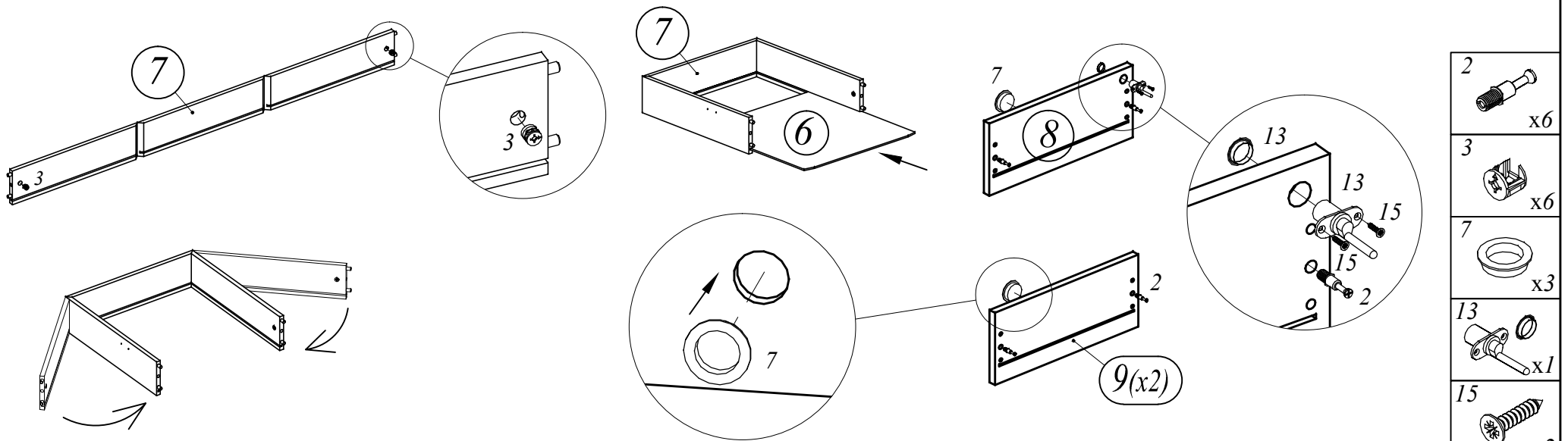
VI



VII

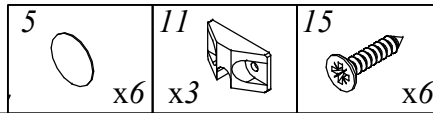
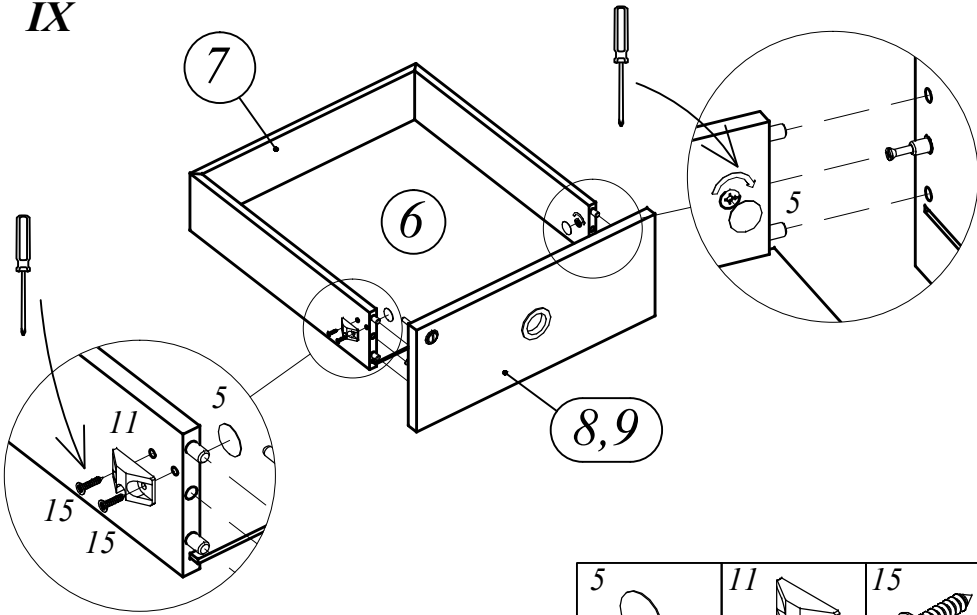


VIII

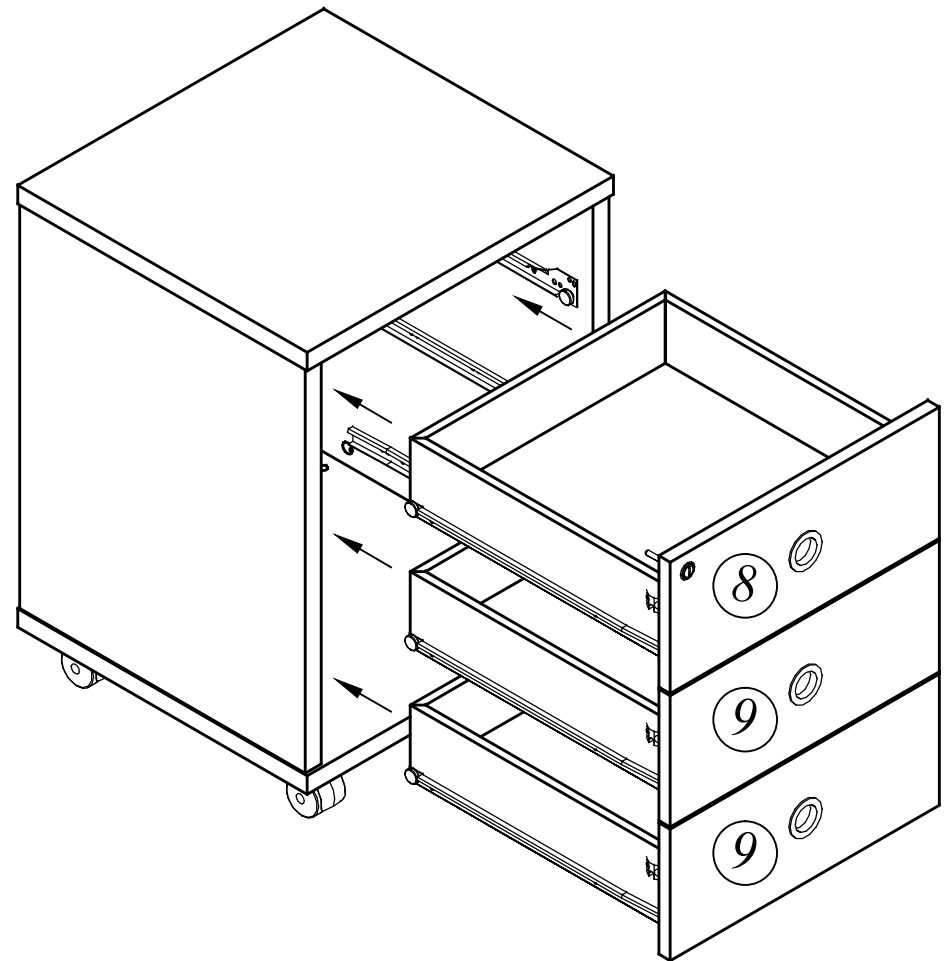


- 2 x6
- 3 x6
- 7 x3
- 13 x1
- 15 x2

IX



XI



X

