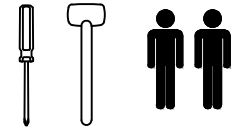
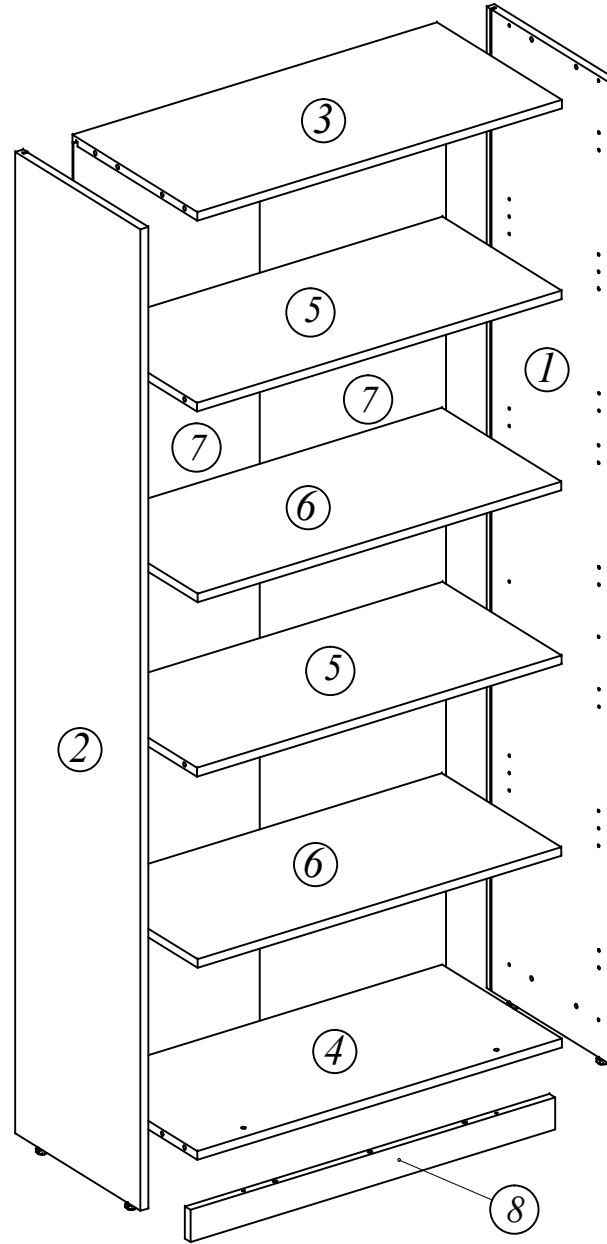
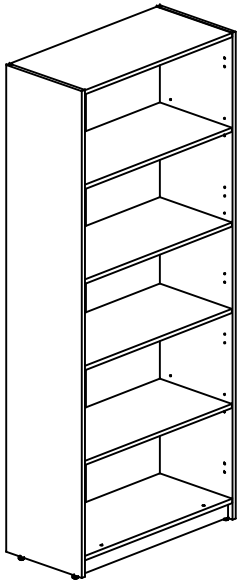
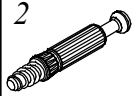



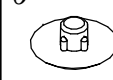
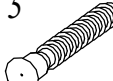
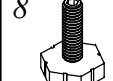


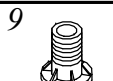
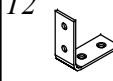
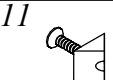



# SR - 5W

1

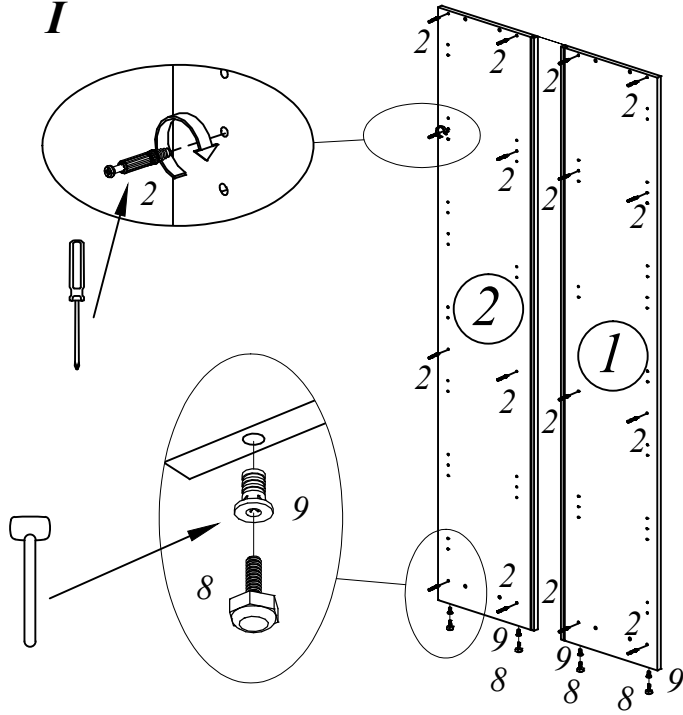



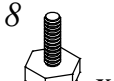
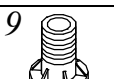
			x16
	x11		x16
	x16		x2
	x2		x4
	x1		x8
	x4		x1
	x10		x2

770x375x1805

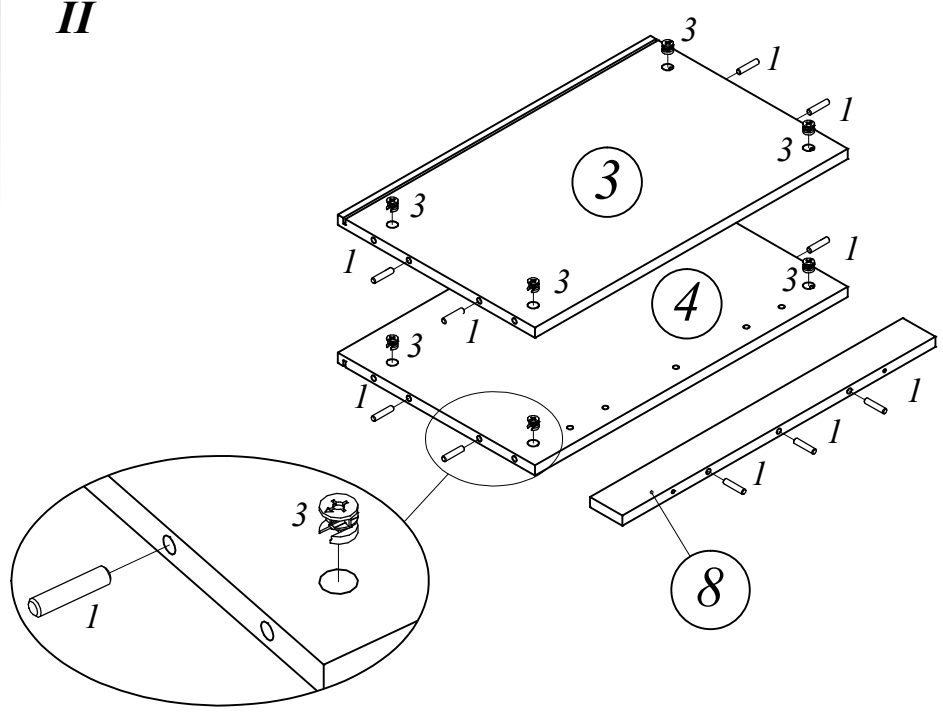
**EAC**

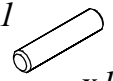

## I



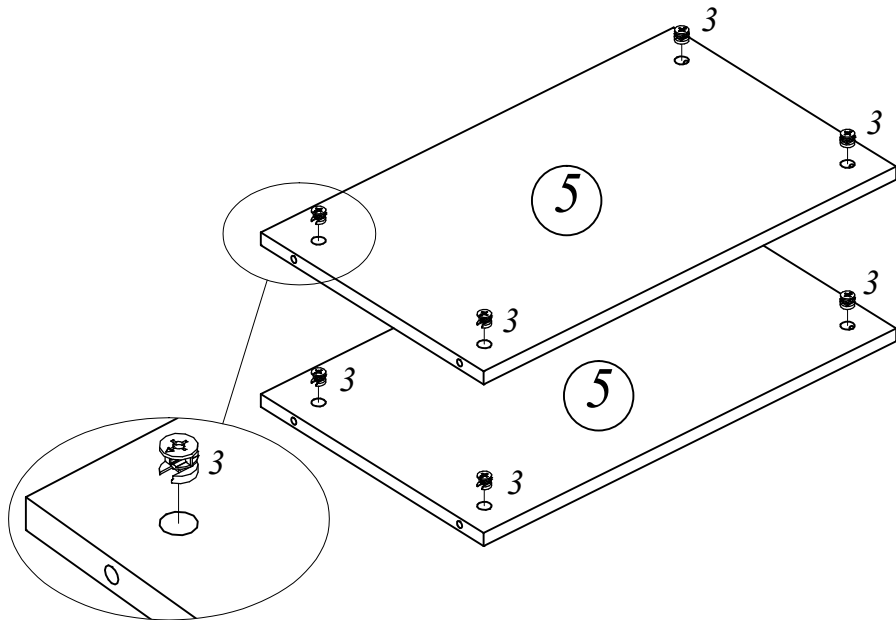
- 2  x16
- 8  x4
- 9  x4


## II



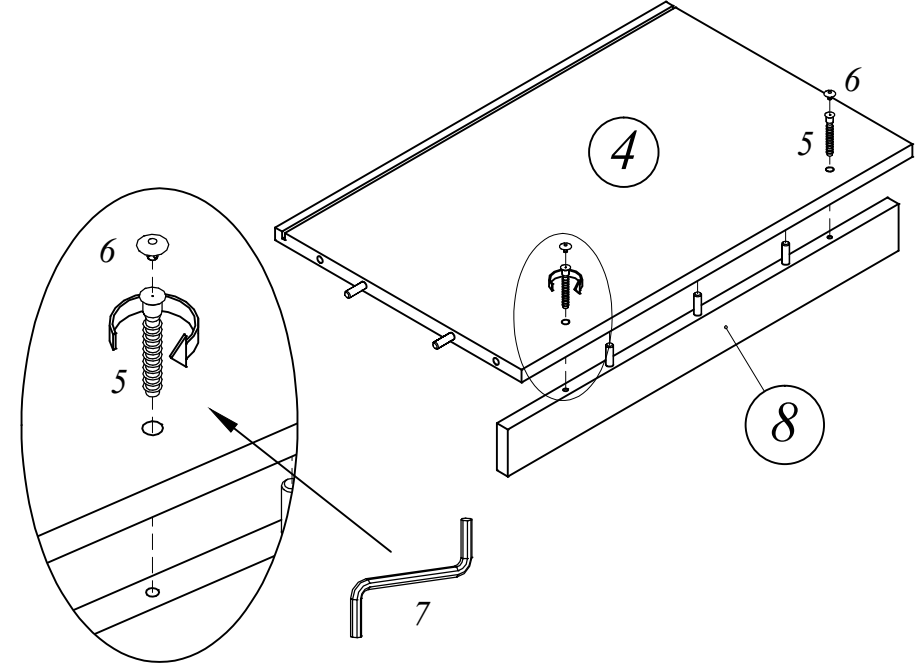
- 1  x11
- 3  x8

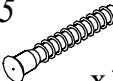
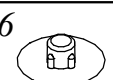
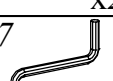
## III



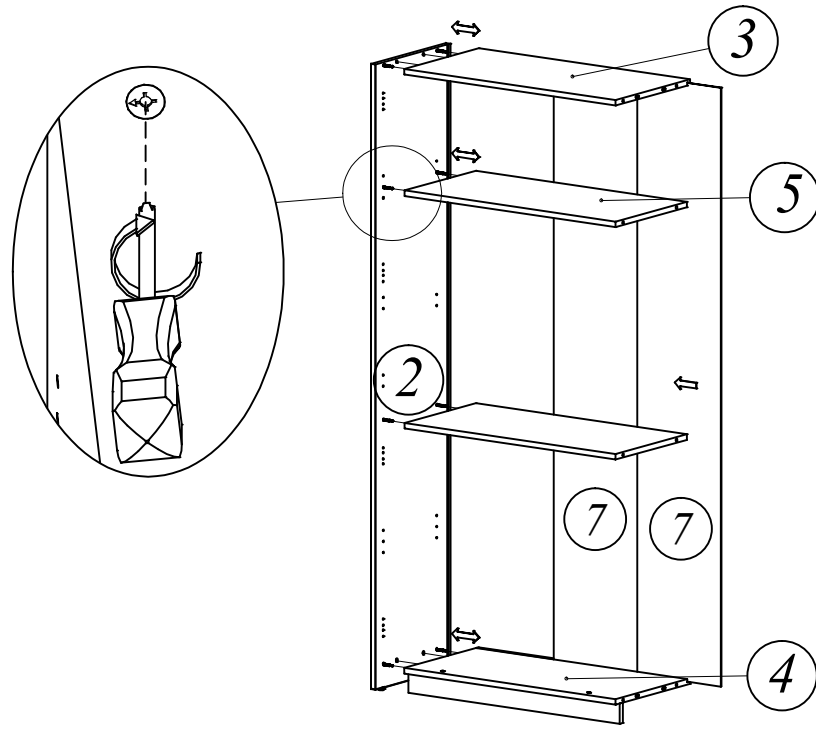
- 3  x8

## IV

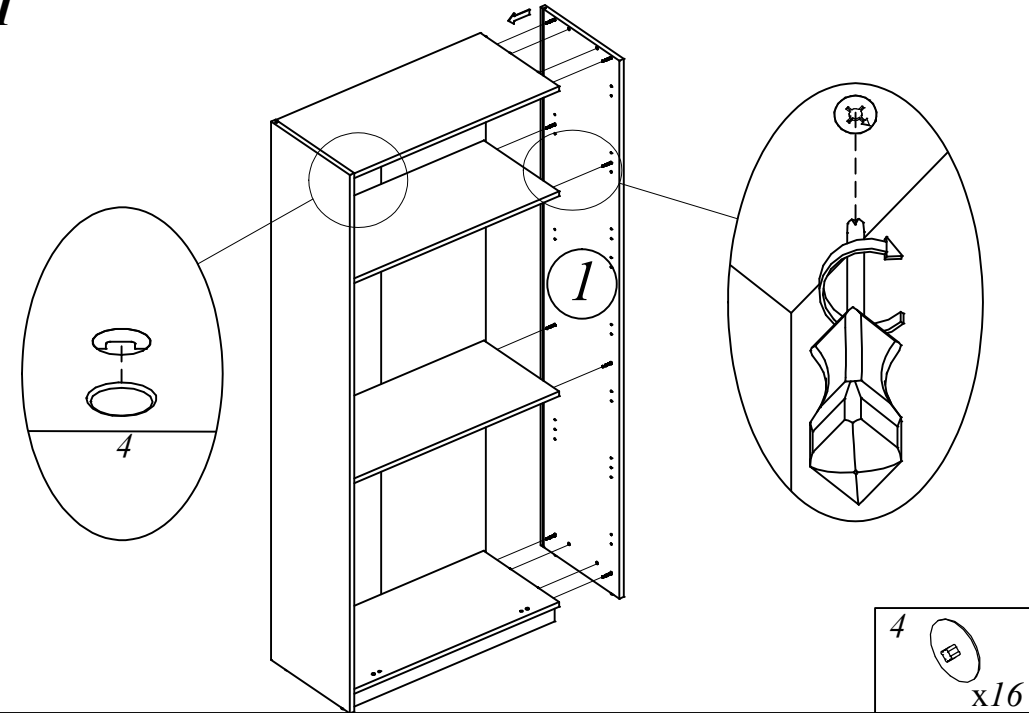


- 5  x2
- 6  x2
- 7  x1

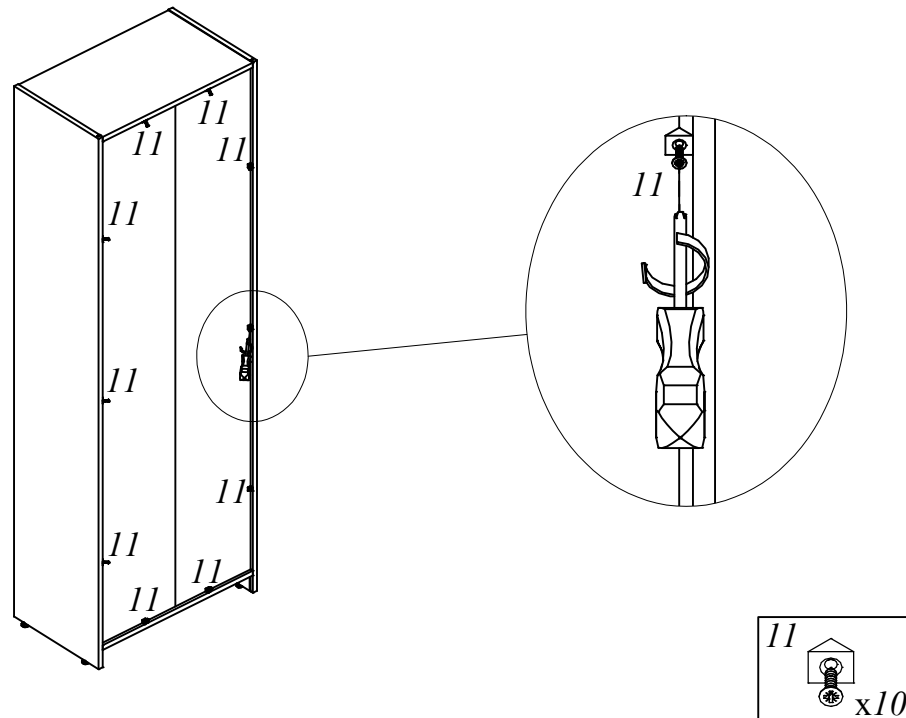
V



VI



VII



VIII

